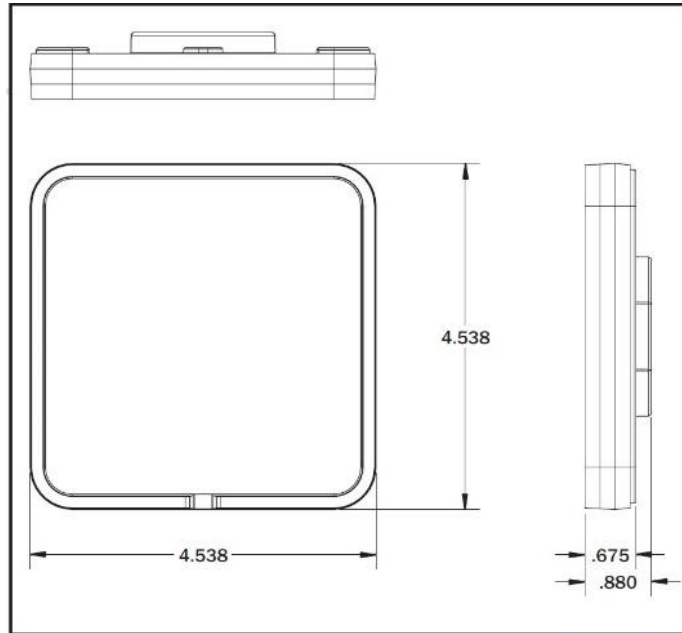




NEXGEN TOUCHLESS WIRED ACTIVATION SWITCH

PN: NG-IR-A

DIMENSIONS



PRODUCT DESCRIPTION

The NexGen is a touchless door activation switch. It employs infrared technology to allow a “hand wave” activation and easily wires to an automatic door operator. The hands-free operation makes them ideal for ADA applications. Other applications might include clean-room access points, request-to-exit devices (1 Amp contact), and point-of-purchase displays.

SPECIFICATIONS

Detection Technology	Pulsed Infrared
Activation Range	Approx. 1” to 12” from face plate
Activation Response Time	.05 to 3 Seconds
Input Voltage	12V to 24V AC or DC, not polarity sensitive
Input Current	Nominal $\pm 15\text{mA}$ @ 24V AC Activated $\pm 40\text{ mA}$ @24V AC
Output Relay Contact	Form C rated at 1 A @ 24
Temperature	-13° F to 140° F (-25° C to 60° C)
Dimensions	4.538” Square x .675” D
Materials	Clear polycarbonate back plate with black acrylic face plate
Mounting	Mounts to in-wall single or double gang conduit box
Compliances	FCC Part 15, ANSI A156.10, ANSI A156.19

APPLICATION

The NexGen wired activation switch can be mounted directly to a single or double gang conduit box to lend itself towards a “flush” appearance on the wall - no special adaptors are required when doing so. The switch can also be mounted on a MS Sedco surface-mount wall box model 1015 (as shown below). The 1015 box is made of black polycarbonate and is ideal when in-wall conduit boxes are not available. The surface-mount box provides a simple enclosure while also concealing the box mounting screws. This is an excellent retrofit solution.

The MS Sedco 2WIRE Module is also compatible with the NG-IR-A. The module provides a current sensing circuit that can be used to trigger a dry output relay for door activation. This allows 2 wires to be used for power and signal, in lieu of the standard 4 wire application (2 for power, 2 for signal). Because of this, the 2WIRE Module provides for an easier installation when retrofitting the NG-IR-A onto a location where there had been a standard 2-wire mechanical switch, by eliminating the need to run a new 4-wire cable up to the door header.

ELECTRICAL CHARACTERISTICS

The NexGen wired activation switch is primarily intended for low-voltage control circuits. The output relay is rated for 1A at 24V DC which is sufficient for typical automatic door applications. The relay can be wired as a normally open or normally closed contact.

QUALIFIED INSTALLERS

When installing this product to an automatic pedestrian door application, MS Sedco recommends installation by technicians who are certified inspectors by the American Association of Automatic Door Manufacturers (AAADM). All installations shall be compliant to applicable nationally recognized performance standards and building codes.

COMPATIBLE PRODUCTS



1015 SURFACE BOX



2WIRE MODULE

WARRANTY

MS Sedco activation switch products are warrantied for 3 years from date of purchase – terms apply.

COMPANY CONTACT

MS Sedco
7898 Zionsville Road
Indianapolis, IN 46268

www.mssedco.com
custsvc@mssedco.com
Ph.: 317.842.2545