

**No Electrical
Power Required**

Door Opener Mounts
Parallel Arm (Push Side)
Regular Arm (Pull Side)



ada ez[®]

WIRE FREE DOOR OPENER

The ADA EZ is an automatic door opener providing easy access without the need for electrical power.

Designed for institutional, high traffic manual opening applications that occasionally require automatic operation. Regenerative drive system charges an onboard battery pack eliminating the need for electrical power. Included are two wireless push button transmitters making the ADA EZ a complete ADA door opener solution in one box.

Environmentally Friendly

No Operating Costs
Off the Grid

Low Cost Convenience

No Electrician Required
Fast and Simple Installation

Maintenance Free

On Board Diagnostics
Adjusts to Environmental Changes

Dependable

Commercial Grade
High Traffic, Extreme Duty

Attractive

Modern Low Profile Design
Custom Colors Available

- ✓ No Electrical Power Required
- ✓ Auto Tune – Adjusts to ANSI
- ✓ On-Board Door Control
- ✓ Fast and Simple Installation
- ✓ Adjustable Opening/Closing Force
- ✓ Architectural Finishes
- ✓ Shock Absorbing Door Arm
- ✓ Brushless DC Motor
- ✓ Tested to 10,000,000 Automatic Cycles



*Meets the provisions of:
ANSI Standards A117.1, A156.19,
The Americans with Disabilities Act,
Conforms to UL325 and FCC standards.*



edmit inc[®]

Patent Pending

877.ADA EZ US (877.232.3987)

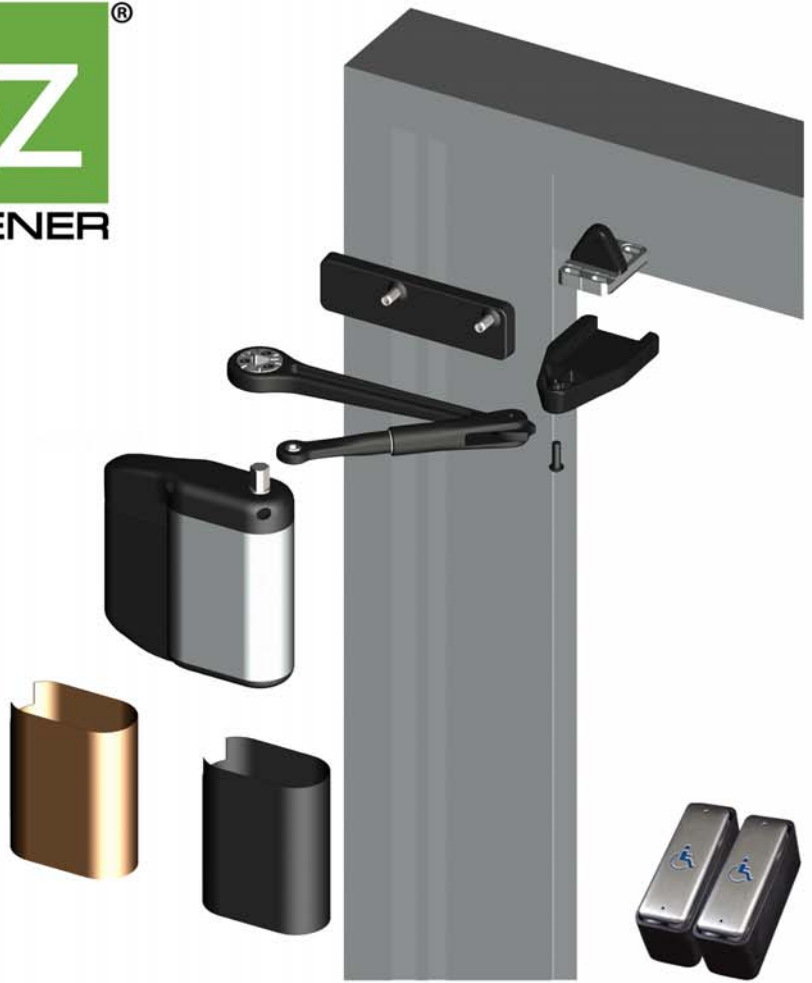
adaez.com

FEATURES - BENEFITS



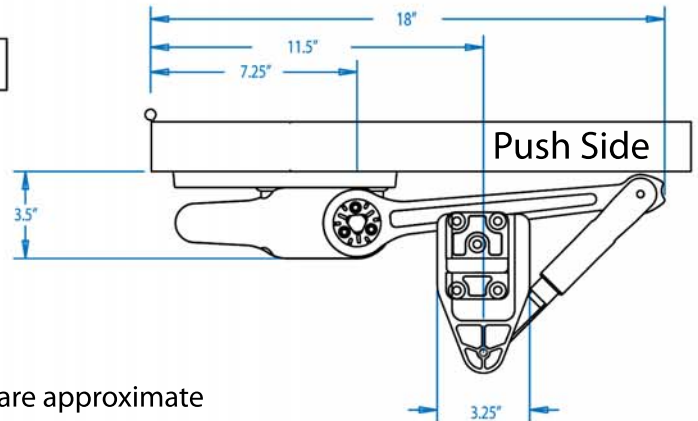
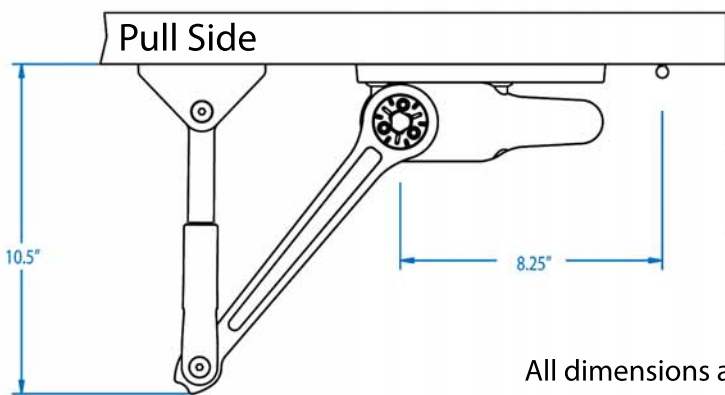
WIRE FREE DOOR OPENER

- 3 Year Warranty
- No External Power Required
- 95° Maximum Opening
- Up to 48", 250 lb. Doors
- Specify RH or LH (Field Reversible)
- Reveal – 1-9/16" (Push) 0" Required (Pull)
- Door Top Rail – 2" Minimum
- Stop Width – Reveal Minus 1" (Push)
- Frame Face – No Minimum (Push)
- 1-1/2 Minimum (Pull)
- Adjustable Opening/Closing Force
- Black, Brown, Silver Finishes

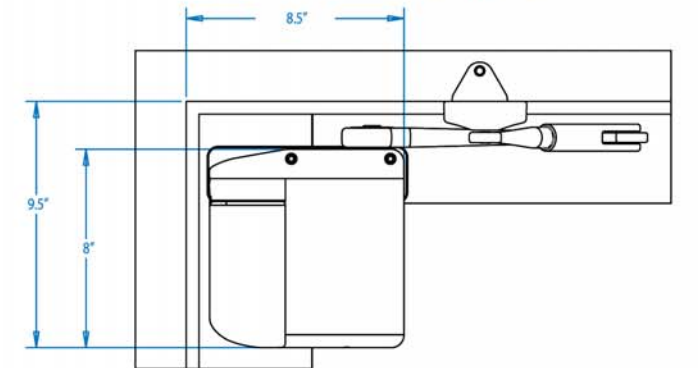
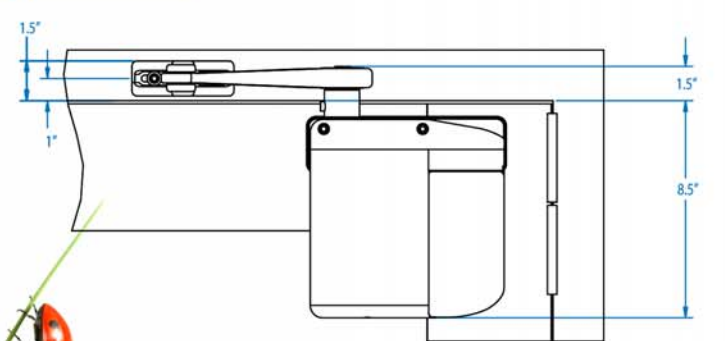


ADA EZ Series

Complete ADA Door Opener Solution In One Box



All dimensions are approximate



Patent Pending



adaez.com
877.ADA EZ US (877.232.3987)

