



ENGINEERED FOR MOTION

Mounting Boxes and Escutcheons

Product Name

Mounting Boxes and Escutcheons

Contact Information

MS SEDCO
8701 Castle Park Drive
Indianapolis, IN 46256
Phone: (317) 842-2545
www.mssedco.com

Product Descriptions

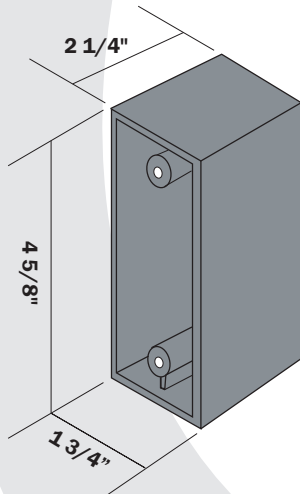
MOUNTING BOX COMPATIBILITY SUMMARY: One and Two Piece Mounting Boxes

All mounting boxes are exterior grade polycarbonate surface mounting boxes designed so the switch will recess mount for superior weather protection and to eliminate potential snagging.

ONE PIECE MOUNTING BOXES

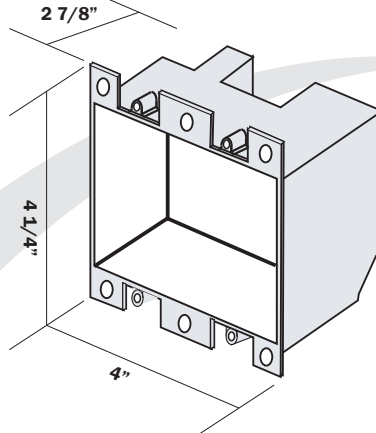
1035 Series

2" deep jamb box. Compatible with 59J Series switches and many other switches designed for jamb mount.



255R Series

2-gang recessed mount box.

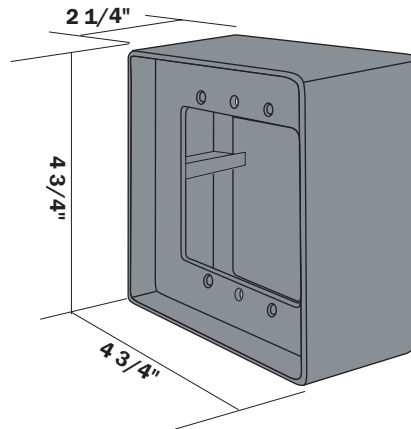


TWO PIECE MOUNTING BOXES

MS SEDCO's two piece mounting boxes are designed to make battery replacement quick and easy for wireless applications.

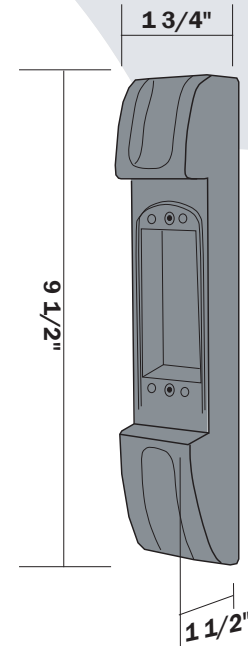
1015 Series

Compatible with 59, 59V, 1078, 216, 830 & 614 Series switches.



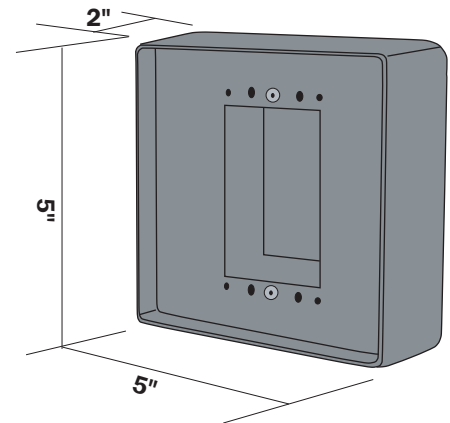
1010 Series

Compatible with 59J Series switches.



1020 Series

Compatible with 59, 216 and 614 Series switches.

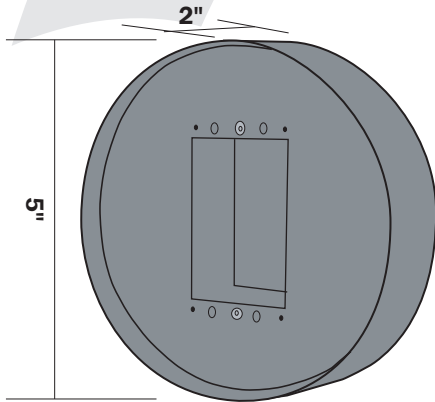


Mounting Boxes and Escutcheons

TWO PIECE MOUNTING BOXES (continued)

1025 Series

Round boxes compatible with all 59R4 Series switches.



Decorative Escutcheons

ESC-59R4: Plate for 59R4 Series

ESC-59R6: Plate for 59R6 Series

Dress up the appearance of your MS Sedco round switch with a stainless escutcheon plate. Plates are available for the R4 and R6 switches, and can be mounted directly to the wall or to a single or 2-gang electrical box.



1030 Series

Round boxes compatible with all 59R6 Series switches.

