

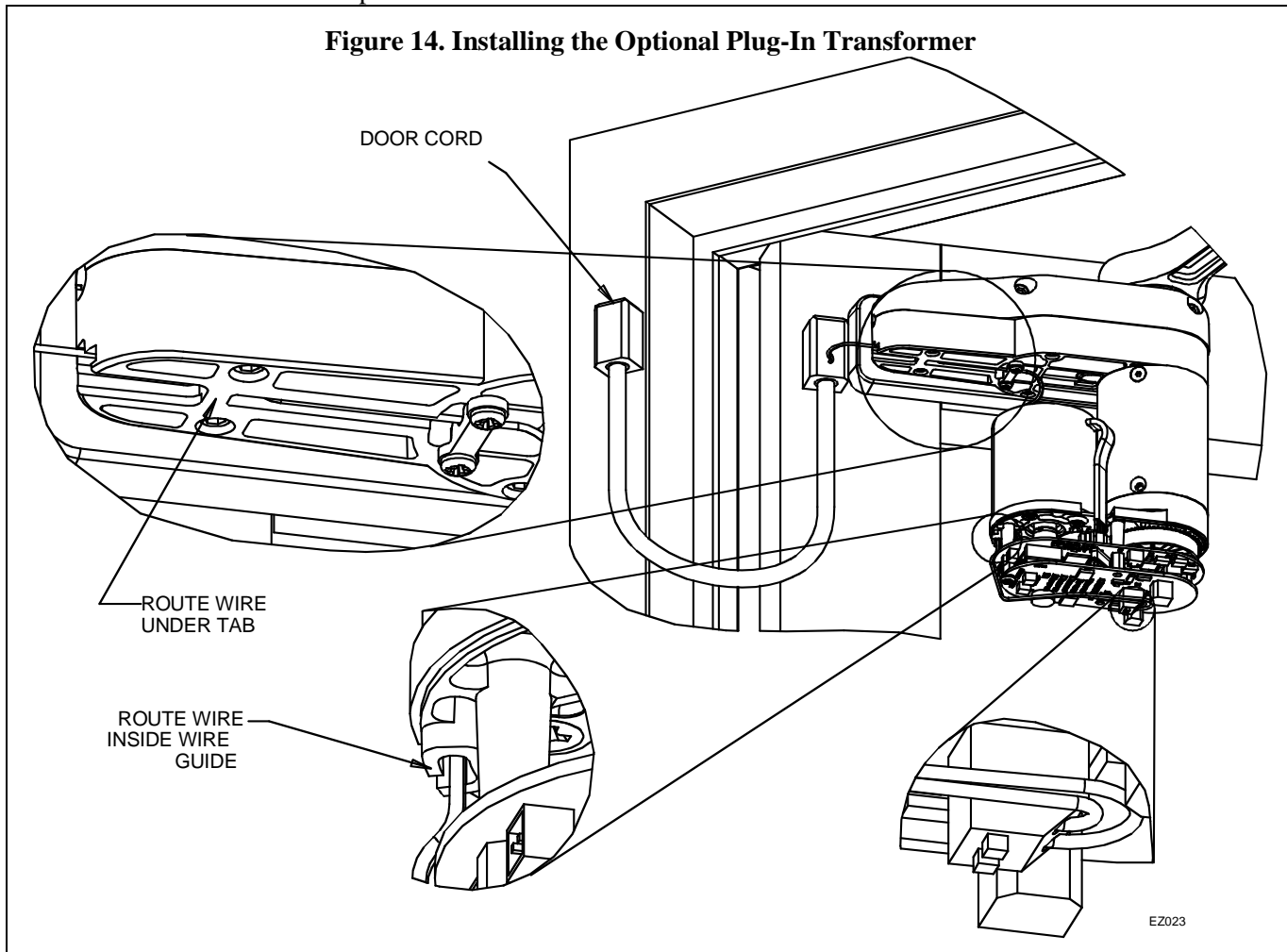
5.8 Installing the Optional Plug-In Transformer

NOTE

An optional plug-in transformer is recommended in installations where the automatic door-opening feature will be used frequently.

- 5.8.1 Refer to Figure 14, and REMOVE the two capscrews securing the operator bottom cover to the operator.

Figure 14. Installing the Optional Plug-In Transformer



- 5.8.2 REMOVE the bottom cover from the operator. Remove battery.
- 5.8.3 THREAD the transformer wire through the operator cover and motor cable slot.
- 5.8.4 CONNECT the two transformer wires to the terminal block (TB1) on the bottom of the control circuit board. Terminal #1 should be connected to the positive lead. A GREEN LED (DS12) closest to the terminal block denotes proper polarity. Should a RED LED turn on reverse the polarity of the transformer wires. This will not damage the circuit board.
- 5.8.5 MOUNT one end of the door cord onto the face of the door under the battery pack. ROUTE wires out of end of door cord into the operator. When the battery pack is installed wire and mounting block will be concealed.