

Section 1

General Description

The ClearPath radio control transmitters provide reliable activation of any automatic door. When a 608 Series Bollard is ordered from the factory with a wireless option, the Bollard will come complete with the appropriate transmitter components installed in the integrated cap assembly that attaches to it.

OPTIONS:

CP/TX-P = 608 Integrated Cap Assembly with Transmitter, Battery and Antennas Installed

CP/STX-P = 608 Integrated Cap Assembly with Sequencing Transmitter, Battery and Antennas Installed

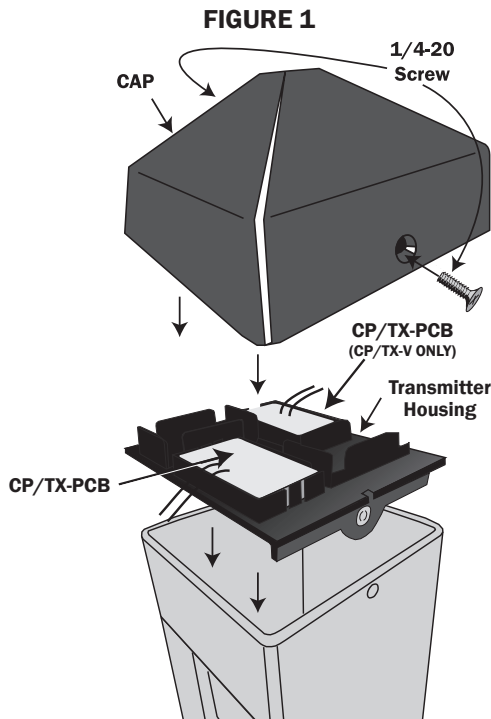
CP/TX-VP = 608 Integrated Cap Assembly with 2 Transmitters, 2 Batteries and Antennas Installed

All ClearPath transmitters have 3 selectable frequencies - High Definition Radio Control™ (HDRC™), 300 MHz and 390 MHz. A simple slide switch allows them to be used interchangeably with past MS Sedco and other competitor's products utilizing these frequencies.

Section 2

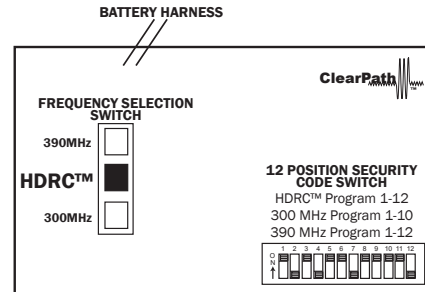
Basic Installation

1) Remove Cap from Transceiver housing (See Fig. 1).



2) **SELECT FREQUENCY:** Select the desired frequency, via the 3-position slide switch on the transmitter circuit board (See Fig. 2). HDRC is factory setting.

FIGURE 2



HDRC™: MS SEDCO proprietary technology
300 MHz: Compatible with Multicode™ products
390 MHz: Compatible with MS SEDCO and GENIE™ products

- 3) **SELECT SECURITY CODE:** CP/TX-P & CP/TX-VP: Program the desired security code, via the 12-position dip switches on the transmitter circuit board (See Fig. 2). **Skip to Step 6.**
- 4) **SELECT SECURITY CODE:** CP/STX-P: Using the same 12-position dip switches, program the desired code for each of the sequencing transmitters to match the code of the receiver that it should activate as follows (See Fig. 3).

Exterior Sequencing Transmitter = Exterior Receiver "A" Code
 Interior Sequencing Transmitter = Interior Receiver "B" Code
 Optional Vestibule Sequencing Transmitter (between doors) = Either Code

5) **SELECT TIME DELAY:** CP/STX-P: Program each sequencing transmitter for the desired time delay between activation of the two doors via the dip switches marked 1 & 2 on the circuit boards. If a sequencing transmitter is used between the doors set the delay to zero so that the doors open simultaneously (See Fig. 4).

FIGURE 3
Vestibule Sequencing Diagram

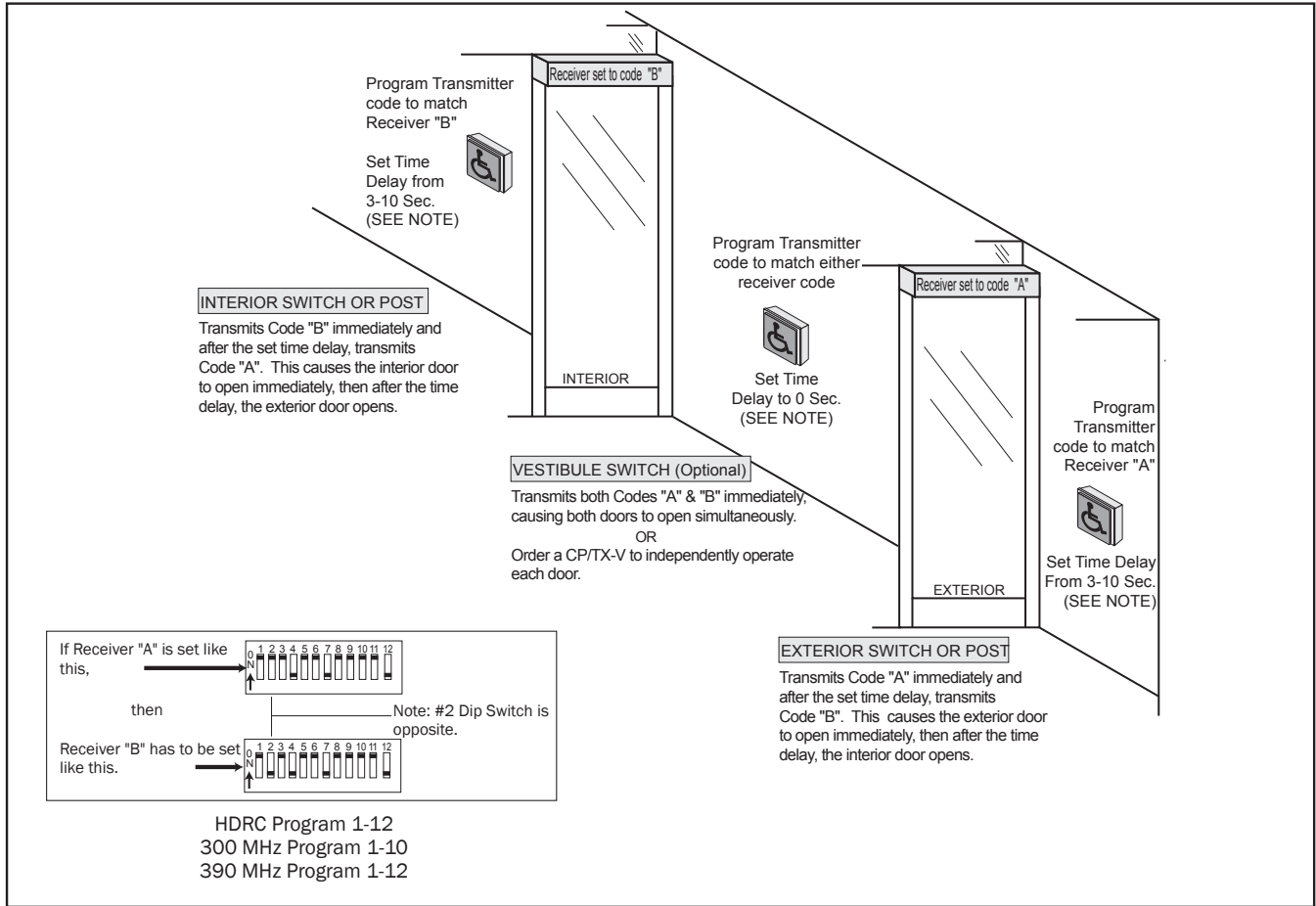
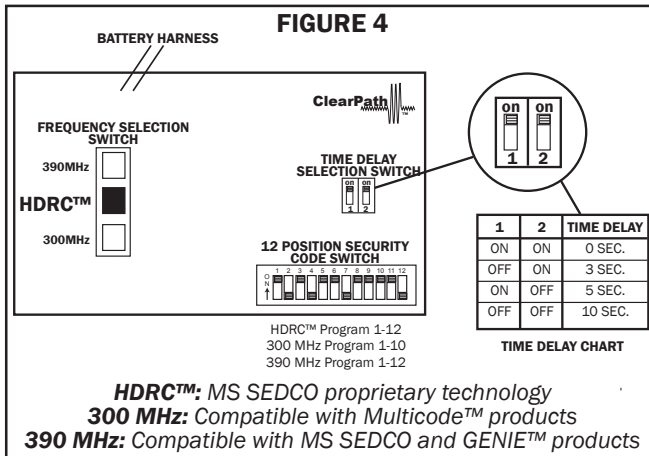
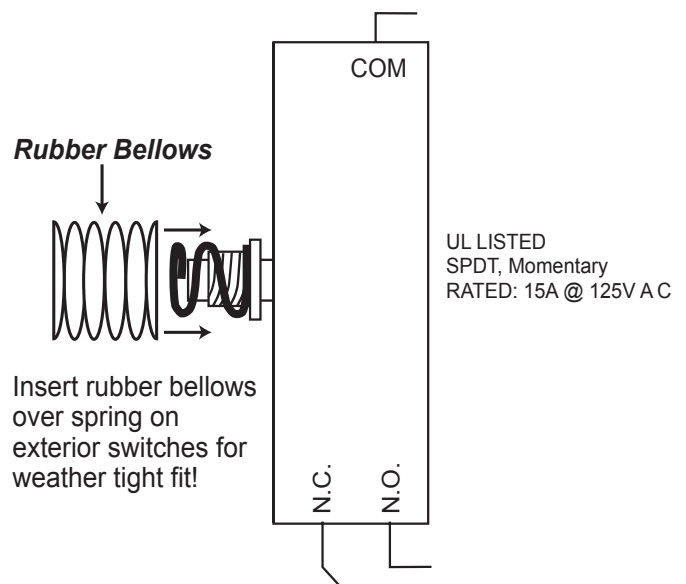


FIGURE 4



The sequencing transmitter will always send the programmed ID code (as set by the 12 dip switches) first, wait the desired delay time then send the second ID code (which is the same as the first except #2 dip switch is opposite).

FIGURE 5





CP/TX-P, CP/STX-P, CP/TX-VP

ClearPath Transmitters for 608 Series Bollards

INSTALLATION INSTRUCTIONS

- 6) Plug the 2-lead transmitter wires onto the Common (COM) and Normally Open (N.O.) contacts located on the Push Plate Switch microswitch (See Fig. 5).
- 7) Activate Push Plate Switch to ensure the system is working properly and refer back to Step 5 if the delay between doors needs adjusting.
- 8) Re-attach Cap with 2 1/2-20 screws provided (See Fig. 1).



NOTICE: This device complies with Part 15 of the FCC rules. Operation of this device is subject to the following two conditions: 1) This device may not cause harmful interference and 2) This device must accept any interference received, including interference that may cause undesired operation. Any changes or modifications not expressly approved by MS SEDCO could void the user's authority to operate this equipment.