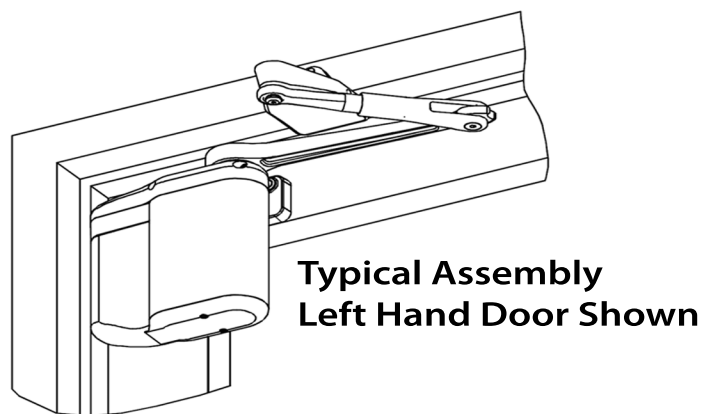


# Quick Installation Guide

Refer to Installation Manual 700001 for Details

	ALL INSTALLATIONS	ALUMINUM/HOLLOW METAL
1X		10X
2X		10X
2X		WOOD
10X		10X



- Notes:**
- Refer to Installation Manual for detailed installation and operation.
  - Do not drill into the junction of the stile and rail on an aluminum doors.
  - Do not drill into the tie rod or the top rail web.
  - Set up a protective barrier to prevent unauthorized access to work area.
  - Secure door to prevent unexpected opening or closing during installation.

**Drill bits: 25/64", 5/32"**  
**Hex wrenches: 3/16", 9/64", 1/16"**  
**Box wrench: 7/16"**

Refer to [www.ADAEZ.com](http://www.ADAEZ.com) to obtain the latest manual and template revisions

Illustrations for Reference Only

### Step 1 Shipped Components

### Step 2 Installing the Mounting Template

ALIGN TEMPLATE WITH PIVOT CENTERLINE

TOP VIEW - OFFSET PIVOT

### Step 3 Determining Door Arm Pivot Bracket Location

5/8" MINIMUM  
1 1/2" MAXIMUM  
GREATER THAN 1 1/2"

5/8" MINIMUM  
1 1/2" MAXIMUM  
GREATER THAN 1 1/2"

5/8" MINIMUM  
1 1/2" MAXIMUM  
GREATER THAN 1 1/2"

1 1/2" OR LESS  
5/8" MINIMUM  
1 1/2" MAXIMUM

### Step 4 Mounting the Door Arm Pivot Bracket

HINGE PIVOT

ARM PIVOT

### Step 5 Installing Operator Mounting Bracket

DOOR OPERATOR MOUNTING POST POSITIONS

USE THESE MOUNTING LOCATIONS (CHECK TO ENSURE THERE ARE NO INTERNAL DOOR FEATURES INTERFERING WITH MOUNTING POSITIONS)

LARGE STOP

DOOR OPERATOR MOUNTING POST POSITIONS

USE THESE MOUNTING LOCATIONS (CHECK TO ENSURE THERE ARE NO INTERNAL DOOR FEATURES INTERFERING WITH MOUNTING POSITIONS)

WIDE STILE/TOP RAIL

DOOR OPERATOR MOUNTING POST POSITION

USE THESE MOUNTING LOCATIONS (CHECK TO ENSURE THERE ARE NO INTERNAL DOOR FEATURES INTERFERING WITH MOUNTING POSITIONS)

MEDIUM STILE/TOP RAIL

DOOR OPERATOR MOUNTING POST POSITION

USE THESE MOUNTING LOCATIONS (CHECK TO ENSURE THERE ARE NO INTERNAL DOOR FEATURES INTERFERING WITH MOUNTING POSITIONS)

NARROW STILE/NARROW TOP RAIL

### Step 6 Installing Door Arm Pivot

DOOR ARM PIVOT BRACKET

DOOR FACE

SECTION A-A

TIGHTEN SET SCREWS (BOTH SIDES)

DOOR ARM PIVOT BRACKET

DOOR FACE

6 3/8"

DIMENSION BETWEEN DOOR ARM PIVOT BRACKET MOUNTING PLATE AND FACE OF DOOR: MINIMUM = 5/8" MAXIMUM = 2 1/8"

### Step 7 Installing Operator Mounting Bracket Cover

OPERATOR MOUNTING BRACKET COVER

DOOR FACE

### Step 8 Installing Door Arm

EVENLY TIGHTEN EACH BOLT IN A CIRCULAR PATTERN 1/4 TURN AT A TIME UNTIL ALL BOLTS ARE FULLY TIGHTENED.

ENSURE DOOR ARM IS TOUCHING FACE OF DOOR BEFORE TIGHTENING COUPLING.