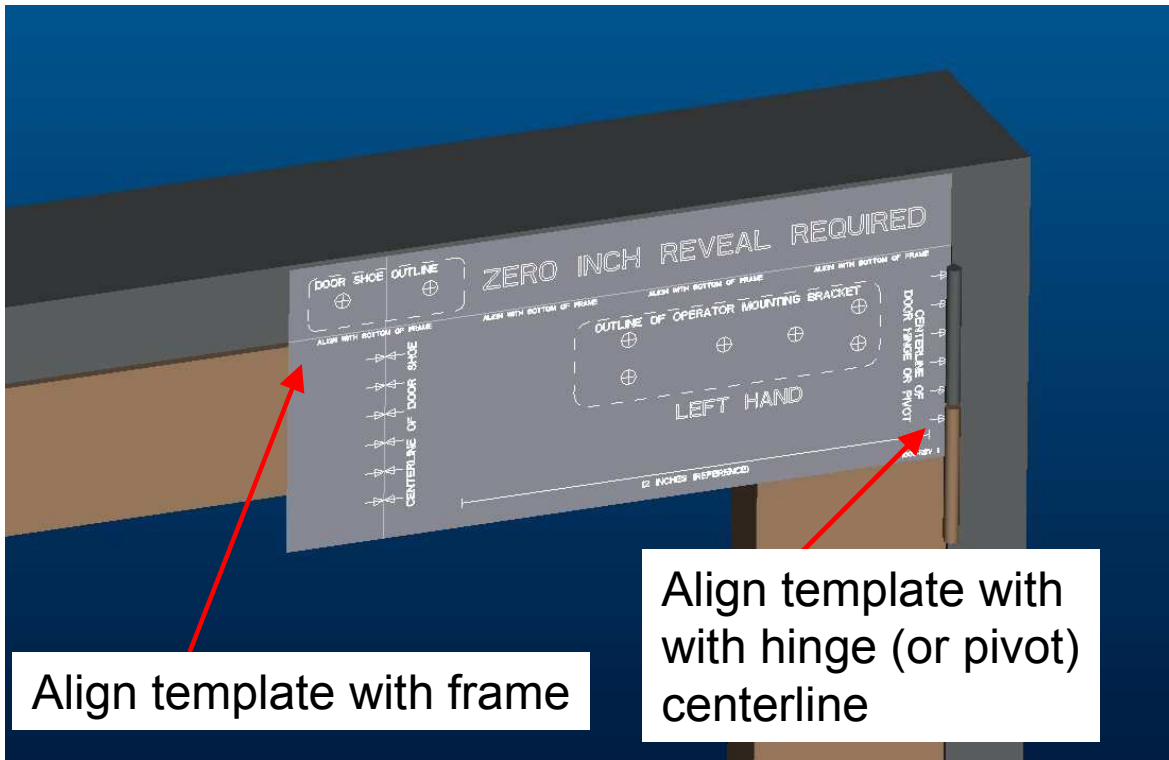
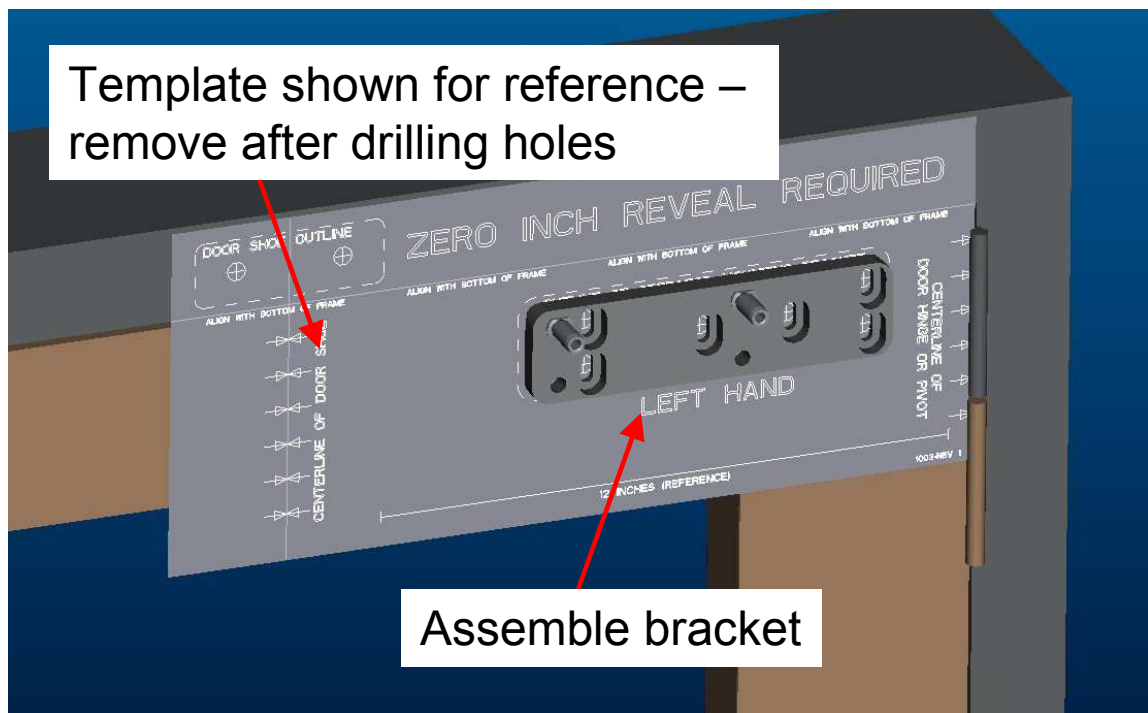


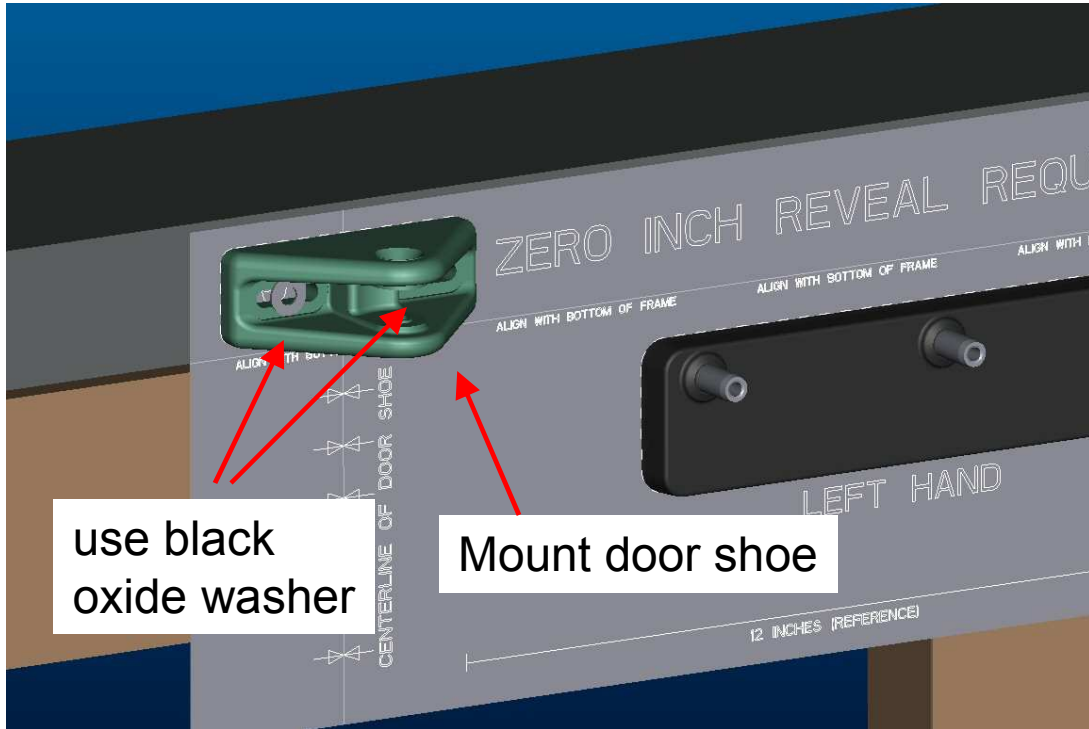
Step 1 – apply the template to the door as shown. Drill holes for operator mounting bracket and door shoe



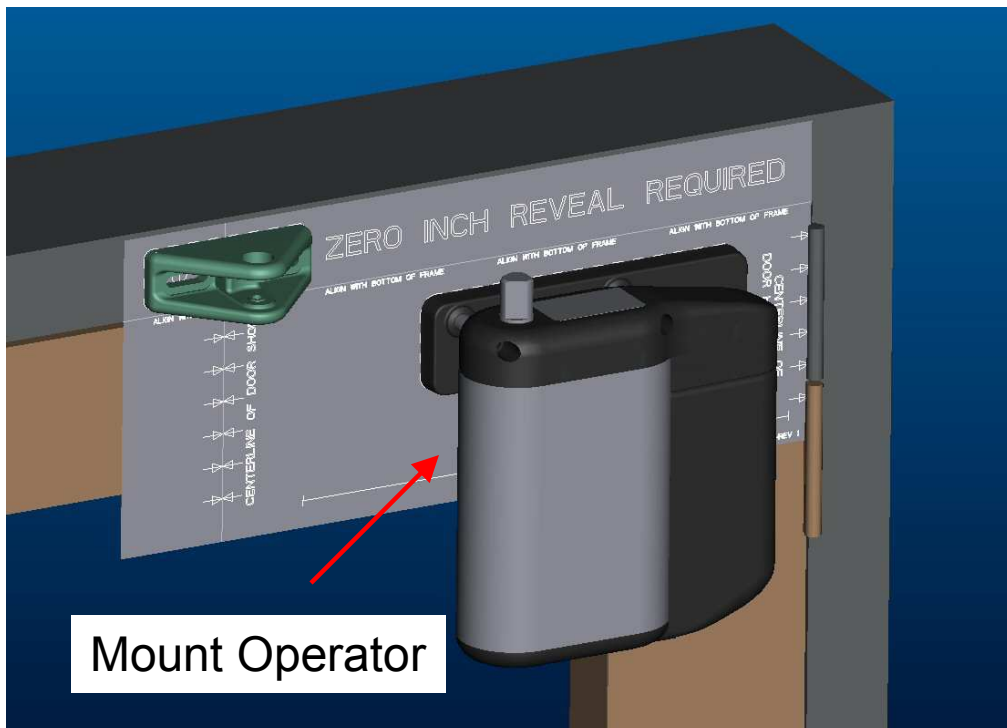
Step 2 – Assemble operator mounting bracket



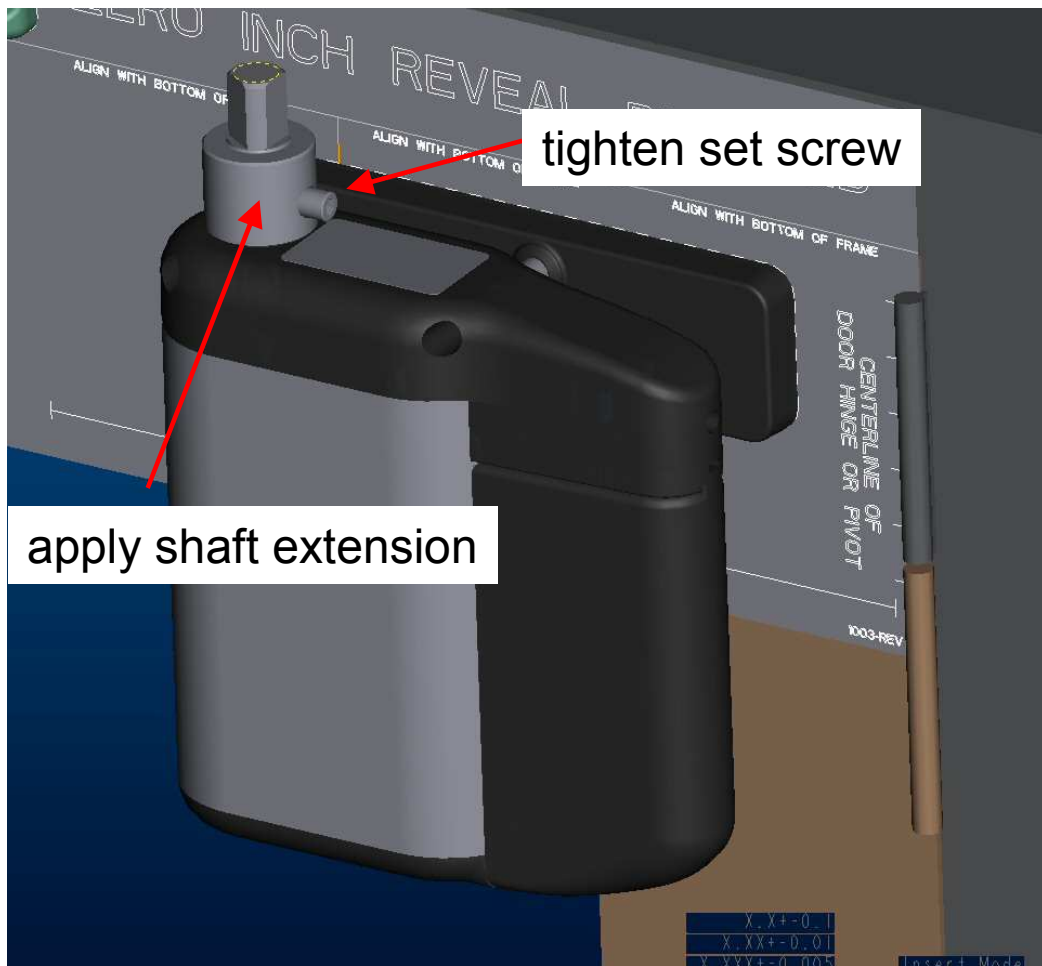
Step 3 – apply the template to the door as shown. Drill holes for operator mounting bracket and door shoe



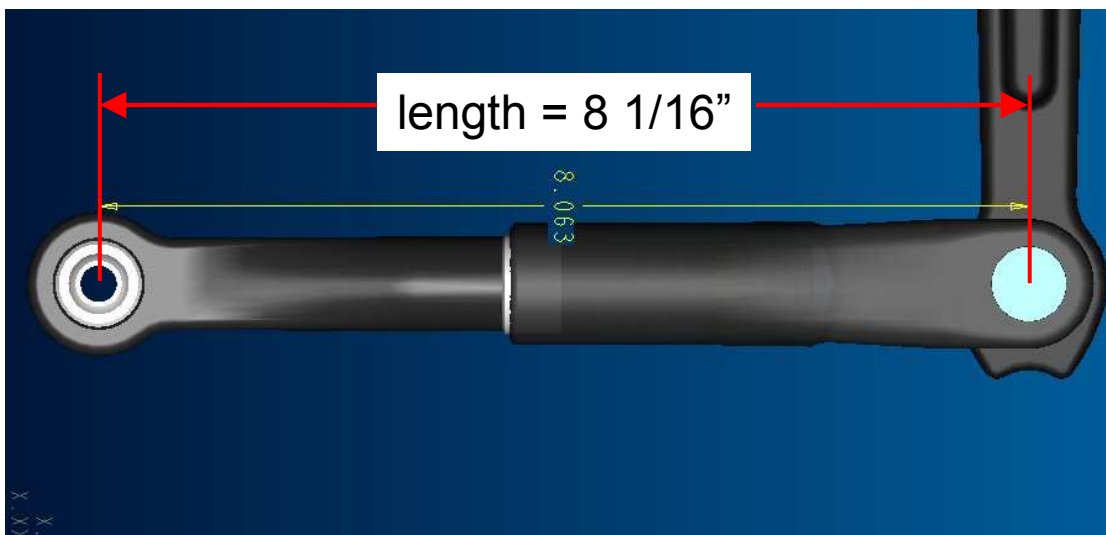
Step 4 – Assemble operator mounting bracket



Step 5 – apply shaft extension and tighten set screw



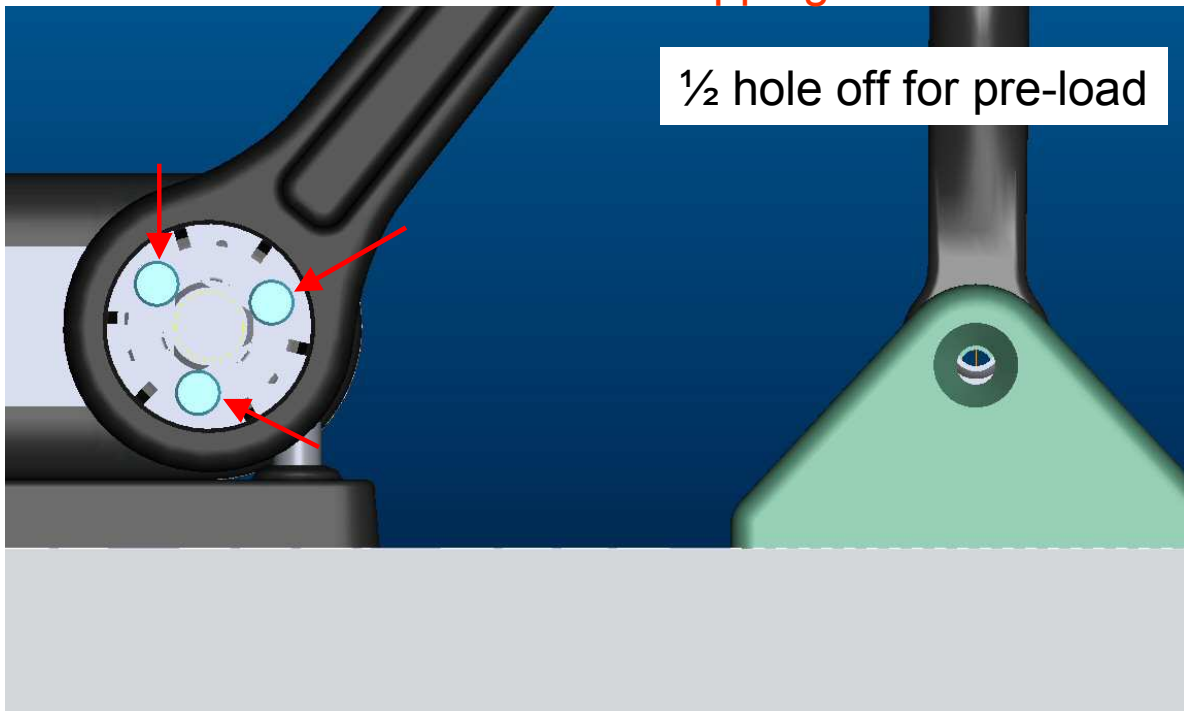
Step 6 – adjust length of door arm to 8 1/16"



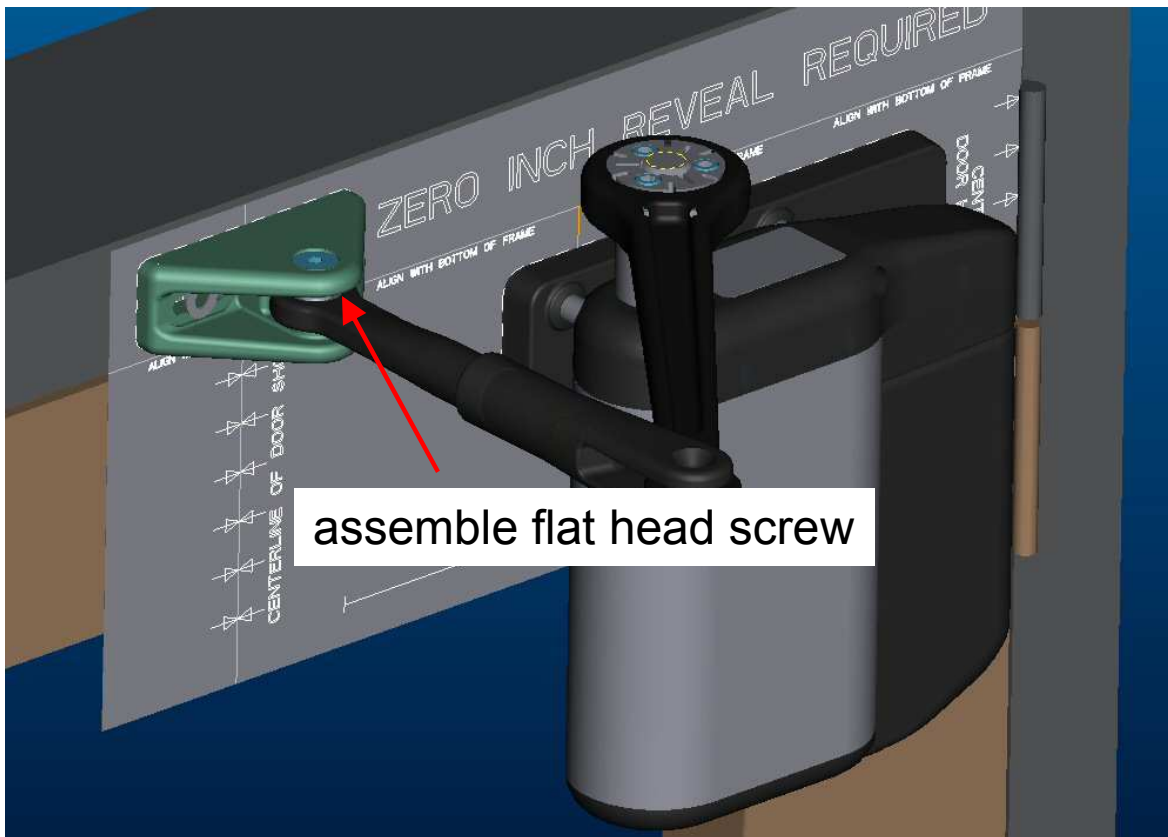
Step 7 – assemble door arm, do not tighten



Step 8 – adjust position of door arm to be approximately 1/2 a hole diameter off. Tighten door arm, by turning each screw 1/2 a turn at a time, continuing to tighten the next screw until all are fully tight. **Failure to fully tighten the door arm will result in the arm slipping over time.**



Step 9 – assemble door arm, do not tighten



Step 10 – Tune in operator as usual – see instruction manual.