

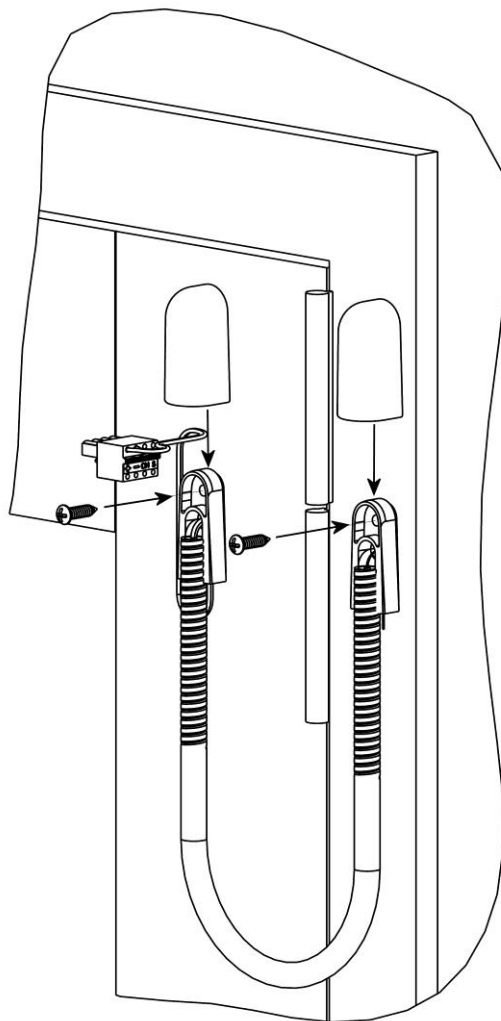
1.1 Installing the Optional Plug-In Transformer

NOTE

An optional plug-in transformer is recommended in installations where the automatic door-opening feature will be used frequently and is required if the Power Close or Push and Go features are activated.

- 1.1.1 Route the extension wire from the wall outlet to the frame of the door.
- 1.1.2 Refer to Figure 1, and mount one door cord bracket to the face of the door behind the battery pack, mount the other door cord bracket to the frame of the door using the supplied mounting screws.

Figure 1. Installing the Optional Plug-In Transformer



- 1.1.3 Refer to Figure 2 and plug in the power connector.
- 1.1.4 Refer to Figure 2 and install the battery wire cap.
- 1.1.5 Plug the transformer into the wall outlet and plug the extension into the transformer.
- 1.1.6 Refer to Figure 2 and ensure the switch on the battery pack is set to the “ON” position. Ensure the LED lights steady green. If the light does not light steady green, reverse the wires on the power connector.

Figure 2. Install Connector and Battery Cap

