

Section 1

General Description

The 922-TD is an electronic timer used to extend the activation time of any momentary contact switch. Once the switch has been activated, the 922-TD captures the signal and holds it until the adjustable time delay (30 sec. or 2-60 sec.) has elapsed.

The 922-TD meets NFPA life safety code 5-2.1.6.2 requirements for access controlled egress doors.

Section 2

Basic Installation

Prior to physically installing the 922-TD there are two parameters that need to be set. Please follow the steps below in their listed order to ensure proper installation.

- 1) Program the time delay via the time delay jumper located on the printed circuit board (PCB) (Figure 1).



NOTICE: The 922-TD is factory set for a 30 second time delay. An adjustable 2-60 second time delay is available by repositioning the time delay jumper on the PCB.

- 2) Program the switch input to be either normally open (N.O.) or normally closed (N.C.). The contact closures of the switch and the input setting of the 922-TD must match (Figure 1).



NOTICE: The 922-TD is factory set for a N.O. switch input. A "failsafe" or N.C. switch input is available by repositioning the switch input jumpers located on the PCB.



WARNING: Never reposition any programming jumpers while power is applied to the device.

- 3) With the Time Delay and Switch Input Programming Jumpers now set, locate the 922-TD in its intended location, make the necessary wiring connections (four wires are required) and plug the wiring harness onto the PCB (Figure 2).



CAUTION: Devices controlled by the 922-TD must be low voltage (12-24V) but can be inductive loads. Surge suppressors are standard on the 922-TD.

- 4) With power applied, set the desired time delay via the potentiometer (Figure 1) if the adjustable time delay

was programmed in step 1, otherwise the 922-TD will have a fixed 30 second time delay.



NOTICE: These instructions are provided for your convenience. Please verify your installation is in compliance with all electrical codes.

Section 3

Technical Data

Model.....	922-TD
Input Power.....	12-24V AC or DC
Switch Input.....	Selectable N.O. (factory setting) or N.C.
Output Contacts.....	Form C, Rated at 5 Amps
Relay Contact Rating.....	5A:120V AC; 5A:60V DC
Time Delay.....	Selectable 30 sec. fixed (factory setting) or variable 2-60 sec.
Temperature Rating.....	-22 °F to 158 °F (-30 °C to 70 °C)
Weight.....	<0.25 lbs.
Physical Size.....	4"L x 2"W x 1"H

Section 4

Warranty

MS Sedco guarantees this product to be free from manufacturing defects for 1 year from date of installation. Unless MS Sedco is notified of the date of installation, the warranty will be in effect for 1 year from the date of shipment from our factory. If, during the first year, our motion detector or support device fails to operate and has not been tampered with or abused, the unit can be returned prepaid to factory and it will be repaired free of charge. After 1 year, the unit will be repaired for a nominal service charge. **This limited warranty is in lieu of all other warranties expressed or implied, including any implied warranty of merchantability, and no representative or person is authorized to assume for MS Sedco any other liability in connection with the sale of our products. All warranties are limited to the duration of this written warranty. In no event shall MS Sedco be liable for any special, incidental, consequential or other damages arising from any claimed breach of warranty as to its products or services.**

Questions? Call us toll-free at 1-800-842-2545 or visit us online at www.mssedco.com.

FIGURE 1

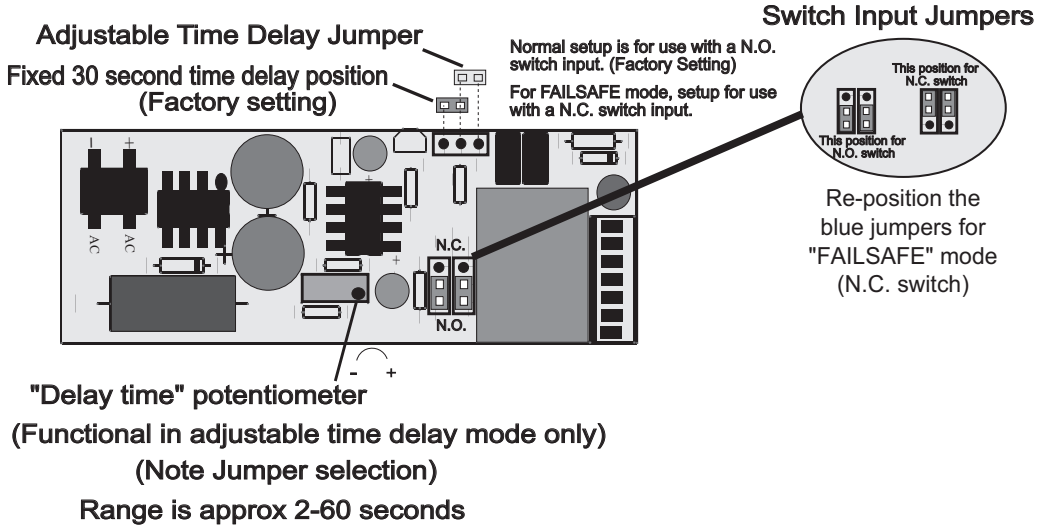


FIGURE 2

