

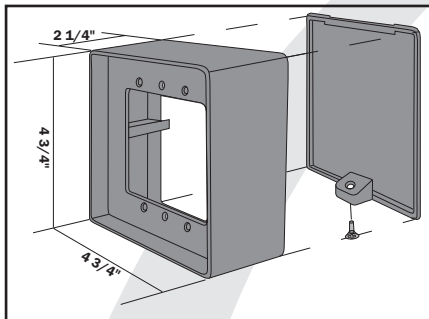


SENSORS & SWITCHES

**Manufacturer**

MS Sedco  
8701 Castle Park Drive  
Indianapolis, IN 46256  
Phone: (800) 842-2545  
(317) 842-2545  
Fax: (800) 849-3387  
(317) 849-3387  
Email: custsvc@mssedco.com  
www.mssedco.com

**ACCESSORY #1**



**Product Name**  
1015 Series Surface Mounting Box

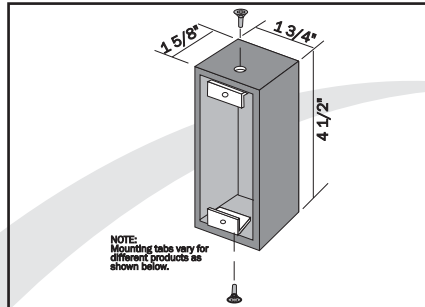
**Product Description**

**BASIC USE**  
The 1015 Series is a 4 3/4" square surface mounting box for use with MS Sedco's switches. This box is designed so the switch will recess mount into it improving weather protection and eliminating "snagging." When used in wireless applications, battery replacement is quick and easy thanks to its two-piece design that requires only one screw be removed to gain access to the battery.

**Technical Data**

- Constructed of Rugged Black Exterior Grade Polycarbonate
- One Screw Access to Battery (Wireless Version)
- Recessed Switch Mounting For Superior Weather Protection
- Additional Weather Proofing Gasket Available (Order Separately #10001)

**ACCESSORY #2**



**Product Name**  
1106 Series Surface Mounting Box

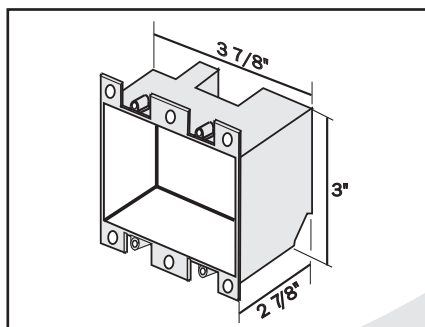
**Product Description**

**BASIC USE**  
The 1106 Series is a surface mounting box for use with MS Sedco's narrow series switches. The 1106-A is for use with the #619 Series, #425 Series and #614N Series switches and the 1106-B is for use with #216N touchless switches and #730N keyswitches.

**Technical Data**

- Constructed of Rugged Exterior Grade Black Polycarbonate
- Easy Access Feature For Switch Removal/Battery Replacement
- Weather Proofing Gasket Available (Order Separately #11001)

**ACCESSORY #3**



**Product Name**  
255-R 2-gang Recessed Mounting Box

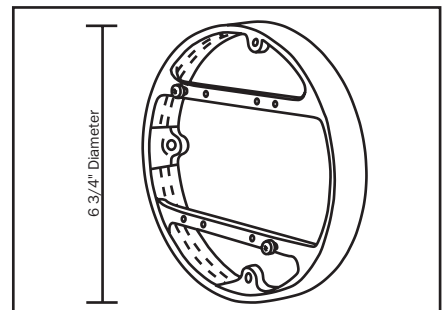
**Product Description**

**BASIC USE**  
The 255-R is a recessed mounting box for use with MS Sedco's switches and transmitters.

**Technical Data**

- Constructed of Rugged Plastic
- Easily Installs In Wall Cutouts
- Ideal For Use In Conditions Where Switch Projection Must Be Minimal

**ACCESSORY #4**



**Product Name**  
33-M Surface Mount Ring

**Product Description**

**BASIC USE**  
The 33-M is a surface mount ring for use with the 33 Series switches.

**Technical Data**

- Constructed Of Rugged Black Polycarbonate
- Sloping Design Eliminates "Snagging"

## Switch Accessories

### ACCESSORY #5

**Product Name**

Switch Weatherproofing Options

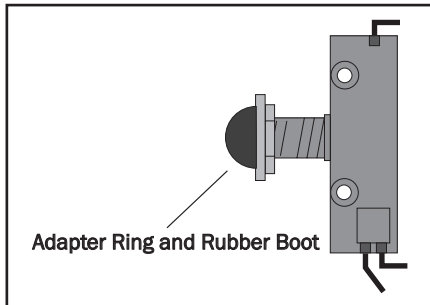
**Product Description**

BASIC USE

MS Sedco provides two options for weatherproofing Cherry Switches. The Rubber Boot (RB) option and the Water Resistant (WR) option.

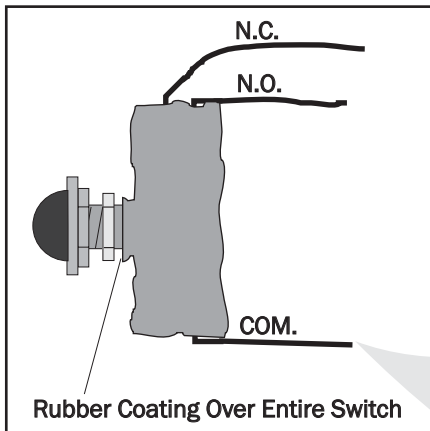
**Technical Data**

RUBBER BOOT (RB) OPTION



- Eliminates Moisture From Reaching Plunger Button Of The Cherry Switch
- Prevents The Plunger Button From Freezing Up In Cold Weather
- Recommended For Use In Locations Where Switch Comes In Direct Contact With Moisture

WATER RESISTANT (WR) OPTION



- Recommended For Extremely Wet Conditions

- Incorporates The Rubber Boot Plus A Rubber Coating Over The Complete Cherry Switch

### ACCESSORY #6



**Product Name**

12024 Open Frame 24V AC Transformer

**Product Description**

BASIC USE

The 12024 transformer is a screw mount type transformer used to convert a 120V AC power supply to 24V AC low voltage.

**Technical Data**

- Screw Mount
- Open Frame
- 2 Wire Type
- Listing: UL recognized component

**Specifications**

Primary Rated Voltage/Frequency: 120V AC/60Hz  
 No Load Secondary Voltage: 24V AC  
 Power: 24VA, rated at 1 amp  
 Tolerance: ±0.5V  
 Thermal Cutoff: 125 °C, 2A, 250V  
 Weight: 1.46 lbs. (663g)  
 Size: 2 1/4"W x 2 1/4"D x 2"H

**Availability & Cost**

AVAILABILITY

Available internationally from manufacturer's authorized distributors; contact MS Sedco for the location of nearest distributor.

COST

Cost information on MS Sedco products is available from the manufacturer's authorized distributors.

**Maintenance**

MS Sedco recommends that all maintenance and adjustments be performed by an AAADM Certified Technician.

**Technical Services**

MS Sedco's staff of factory trained sales and service personnel offer design assistance and technical support. Local distributors are also available to assist in selecting appropriate devices for specific uses and to provide onsite installation

**Filing Systems**

- Sweet's
- Additional product information is available from the manufacturer upon request.